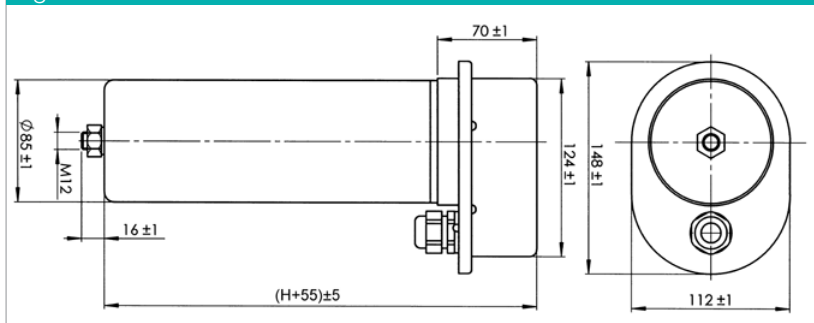


## 2. Three - phase capacitors in aluminium housing type KNK5065

Figure 4



### Rated voltage 400 V, 50 Hz

Rated power (kvar)	Rated capacitance (μF)	Rated current (A)	H (mm)	Weight (kg)	Packing unit (pcs)
2,5	3 × 16,6	3,6	145	0,45	36
3	3 × 19,9	4,3	145	0,45	36
4	3 × 26,5	5,8	185	0,55	36
5	3 × 33,2	7,2	185	0,55	36

### Rated voltage 440 V, 50 Hz

Rated power (kvar)	Rated capacitance (μF)	Rated current (A)	H (mm)	Weight (kg)	Packing unit (pcs)
2,5	3 × 13,7	3,3	145	0,45	36
3	3 × 16,5	3,9	145	0,45	36
4	3 × 21,9	5,3	185	0,55	36
5	3 × 27,4	6,6	185	0,55	36

### Rated voltage 460 V, 50 Hz

Rated power (kvar)	Rated capacitance (μF)	Rated current (A)	H (mm)	Weight (kg)	Packing unit (pcs)
2,5	3 × 12,5	3,1	145	0,45	36
3	3 × 15,0	3,7	145	0,45	36
4	3 × 20,0	5	185	0,55	36
5	3 × 25,1	6,3	185	0,55	36

### Rated voltage 525 V, 50 Hz

Rated power (kvar)	Rated capacitance (μF)	Rated current (A)	H (mm)	Weight (kg)	Packing unit (pcs)
2,5	3 × 9,6	2,7	145	0,45	36
3	3 × 11,5	3,3	145	0,45	36
4	3 × 15,4	4,4	185	0,55	36
5	3 × 19,3	5,5	185	0,55	36